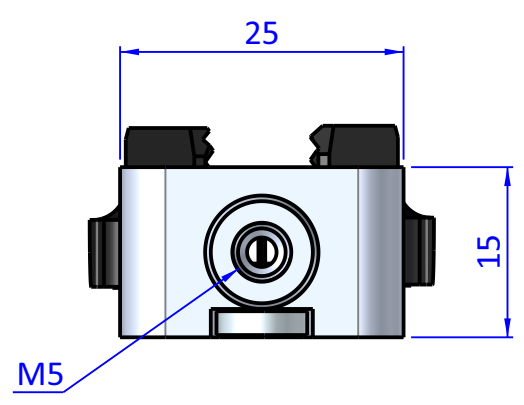
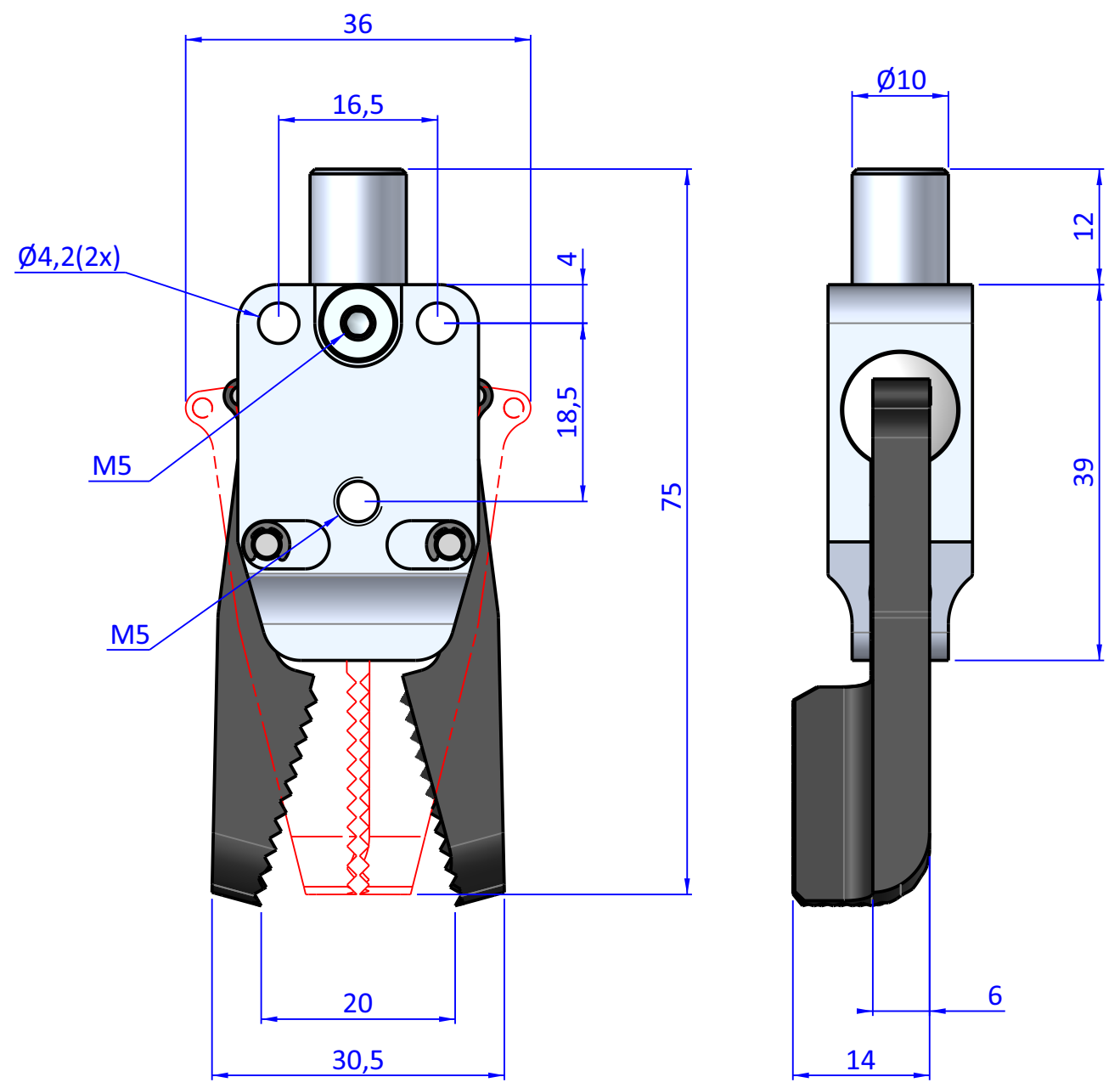
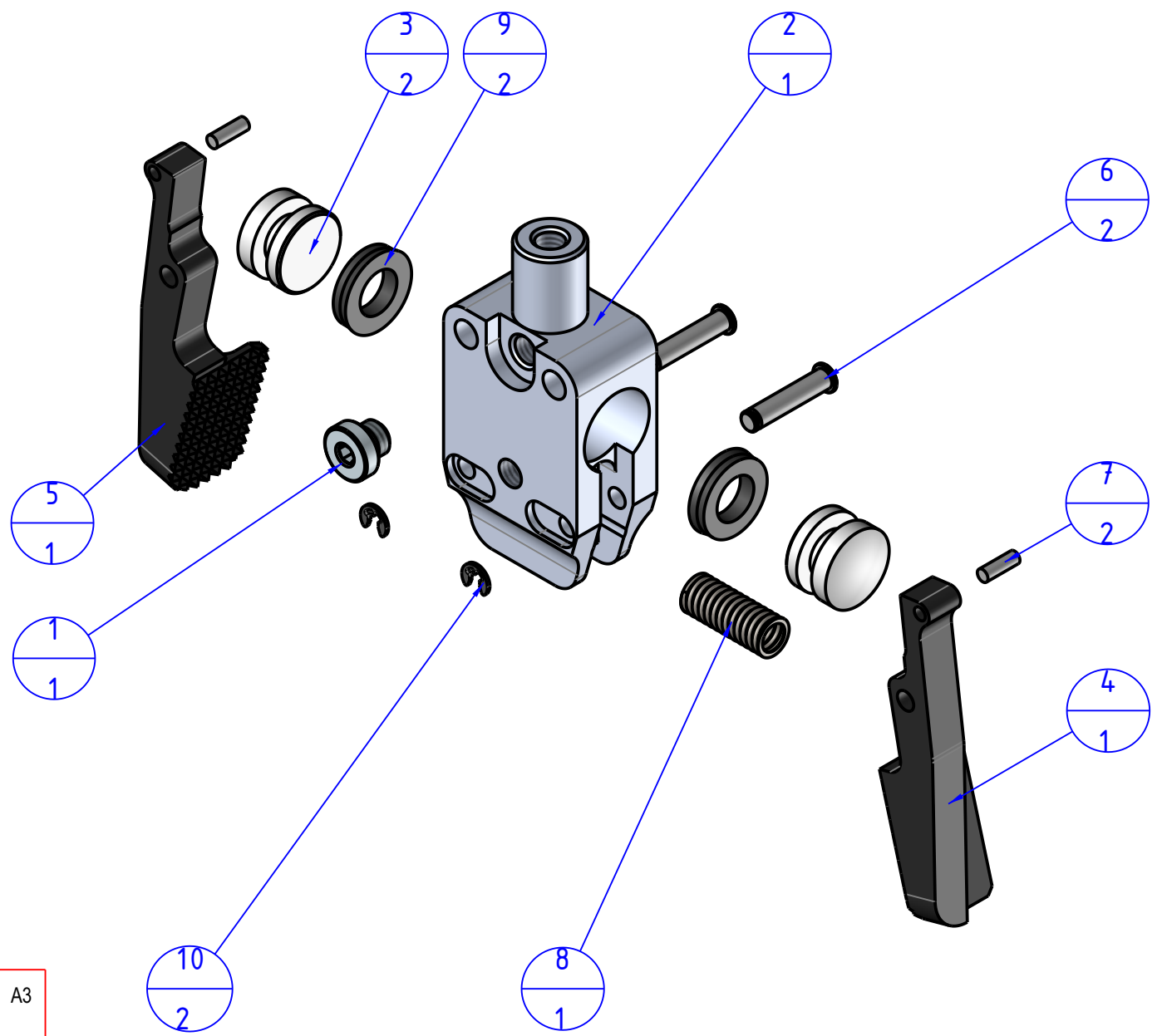



Item	Name	Q.ty
1	CA.08.14.013	1
2	GZA.10.12.1.L.01	1
3	GZA.10.12.2	2
4	GZA.10.12.3.AHD	1
5	GZA.10.12.3.AHS	1
6	SP.3x15SS	2
7	GZA.10.12.9	2
8	M.6x25.SH	1
9	PSP.1269255	2
10	A.ELA.RA1.9	2

THE PROPERTY OF THE DRAWING IS ESTABLISHED BY LAW. IT IS FORBIDDEN TO PRODUCE OR SHOW IT TO THIRD PART. WITHOUT A WRITTEN AGREEMENT.



Format A3  
UNI 936-76

 <b>FPS</b> FPSERVICES AUTOMATION		DESIGNED FROM		REVIEW
		FPS Automation		A
GENERAL TOLERANCE		DATE		WEIGHT
UNI - ISO 2768		20/07/2023		0,039kg
CLASSE f		CODE		
		CA.GZA.10.12.AH		CA.GZA.10.12.AH